

## DATA CENTER FAN WHEEL

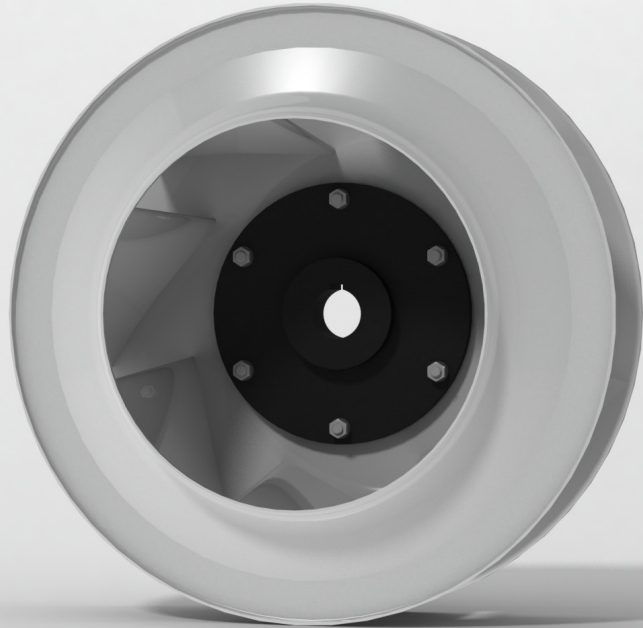
### APPLICATION

Data Center Cooling

Computer Room Air Handling

Supply / Exhaust Air Fan Arrays

Plug Fans



The new Data Center Fan Wheel by punker was developed specifically for supply and exhaust air in data centers, where very high volume flows of up to 30,000 cfm are required at low pressure. The new data center impeller achieves a significantly higher efficiency than competitor products in this area of application. The use of this impeller facilitates **savings in operating cost** of a data center. Another positive side effect is the **reduction in noise emission**.

**Diameter range 22" - 27"**

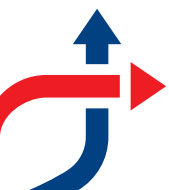
**Welded aluminum impeller**

**Airfoil blade geometry**

**High static efficiency in operating area**

**Taperlock-Hub**

Find out how to reduce the operating cost of data center cooling by up to US\$ 7,000 per year with the Data Center Fan Wheel by punker  
<https://qrco.de/bcfyQD>



# Data Center Fan Wheel

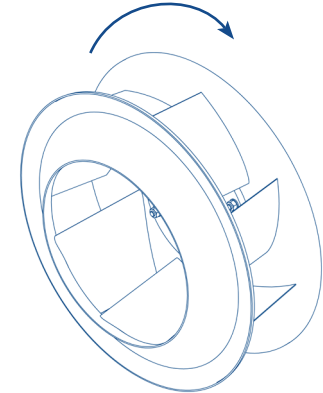
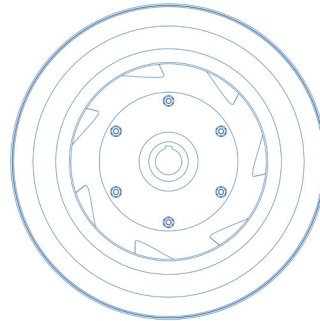
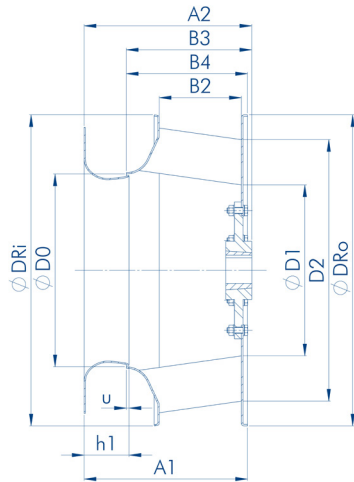


## punker GmbH

Niewark 1  
24340 Eckernförde  
Germany  
Fon: +49.4351.472.0  
Fax: +49.4351.472.740  
info@punker.de  
▶ www.punker.com

## punker LLC

112 Lincoln County Pkwy  
Lincolnton, NC 28092  
USA  
Fon: +1.828.322.1951  
Fax: +1.828.328.1336  
info@punker.com  
▶ www.punker-usa.com



### Direction of rotation

example: suction side view: clockwise rotation (R)

Wheel types							Taperlock Hubs sheet: 4.4.500-1.01				Inlet cone assembly dimensions sheet: 5.1.331-3.01				
D2	B2 mm inch	Ø DRo mm inch	Ø DRi mm inch	Ø D0 mm inch	Ø D1 mm inch	B4 mm inch	Type	Ø dmin mm inch	Ø dmax mm inch	B3 mm inch	~A2 mm inch	Type ED11	u mm inch	h1 mm inch	A1 mm inch
560	224	636	636	394,8	350	306,7	SM25	24	60	255	397,35	560	5,6	92	393,1
22"	8,82	25,04	25,04	15,54	13,78	12,07		0,94	2,36	10,04	15,64		0,22	3,62	15,48
630	252	716	716	444,2	393,8	346,3	SM25	24	60	284,6	441,25	630	6,3	100	440
25"	9,92	28,19	28,19	17,49	15,50	13,63		0,94	2,36	11,20	17,37		0,25	3,94	17,32
710	284	806	806	500,6	443,8	388,8	SM25	24	60	318,1	498,95	710	7,1	117	498,7
27"	11,18	31,73	31,73	19,71	17,47	15,31		0,94	2,36	12,52	19,64		0,28	4,61	19,63

### Technical features:

- ▶ High static efficiency
- ▶ Aluminum execution
- ▶ Temperature range of -20°C to +60°C (-4°F to 140°F)
- ▶ Confirmed durability through cycle fatigue testing
- ▶ Half key balance according to ISO 8821
- ▶ Balance rating G6.3 according to ISO 21940-11
- ▶ Compatible with various AC/EC motors 50/60Hz

### Note!

- ▶ Perform installation and start-up checks
- ▶ Designed for continuous operation
- ▶ Balance check with possible trim balance is recommended. System max. imbalance velocity of < 0.158 in/sec is recommended.
- ▶ When using VSD, system resonant frequencies must be avoided
- ▶ Installation and start-up should be carried out by qualified personnel only
- ▶ Use this fan wheel only with the corresponding inlet cone ED11

**Note:** Additional information regarding special dimensional designs, max speeds, weights and other technical data of our products is available. Please contact us.

