

**HVAC LINE**

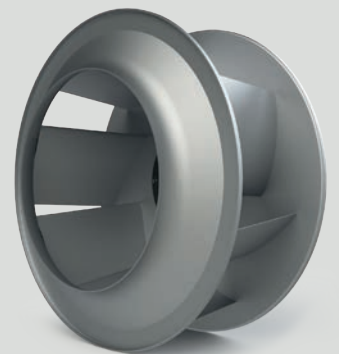
**DATA CENTER COOLING**



► **APPLICATIONS**

Fan Arrays for Supply / Exhaust Air,  
CRAC / CRAH units, Plug fans

The new **Data Center Cooling** fan wheel from punker has been specially developed for supply and exhaust air in data centers where very high volume flows at low pressure are required. The new Data Center Cooling fan wheel achieves a significantly higher efficiency than competitor products in this application area. The use of this fan wheel thus enables savings in the operating costs of a data center and reduction of the carbon footprint. Another positive side effect is the reduction in noise emissions.

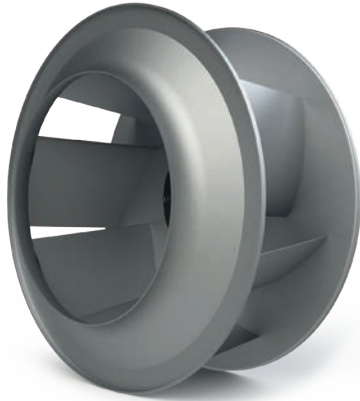


**punker GmbH**  
Niewark 1  
24340 Eckernförde  
Germany  
  
Fon: +49.4351.472.0  
Fax: +49.4351.472.740  
  
info@punker.de  
► [www.punker.com](http://www.punker.com)

**punker LLC**  
1112 Lincoln County Pkwy  
Lincolnton, NC 28092  
USA  
  
Fon: +1.828.322.1951  
Fax: +1.828.328.1336  
  
info@punker.com  
► [www.punker-usa.com](http://www.punker-usa.com)

# DATA CENTER COOLING

## SPECIFICATIONS



### ► TECHNICAL DATA

- Material: aluminum
- Direction of rotation: clockwise (R)
- Design: single flow
- Mounting: Taperlock hub system
- Temperature range: -20°C - 80°C
- Durability through cycle fatigue testing
- Half key balance according to ISO 21940-32
- Balancing according to ISO 21940-11
- Compatible with various AC/EC motors 50/60 Hz

### ► CUSTOMER NOTE

- Perform installation and start up checks
- Designed for continuous operating S1
- Balance check with possible trim balance is recommended
- Checking of frequencies by customer necessary
- System resonant frequencies must be avoided
- Installation and start-up should be carried out by qualified personnel only
- For technical information please refer to fan wheels data sheet [0.0.0.01/0.0.0.02](#)
- Technical information regarding hubs available through punker Engineering
- Use this fan wheel only with corresponding inlet cone

**punker GmbH**  
 Newark 1  
 24340 Eckernförde  
 Germany

Fon: +49.4351.472.0  
 Fax: +49.4351.472.740

info@punker.de  
 ► [www.punker.com](http://www.punker.com)

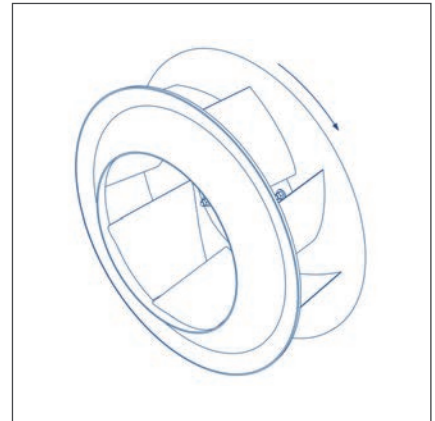
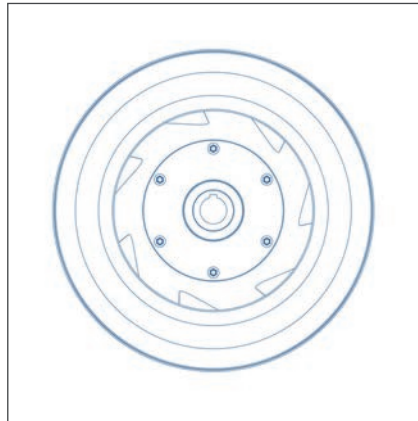
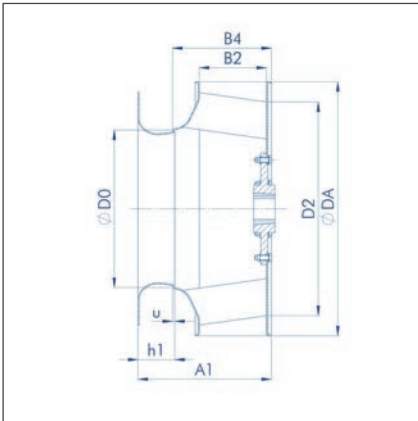
**punker LLC**  
 1112 Lincoln County Pkwy  
 Lincolnton, NC 28092  
 USA

Fon: +1.828.322.1951  
 Fax: +1.828.328.1336

info@punker.com  
 ► [www.punker-usa.com](http://www.punker-usa.com)

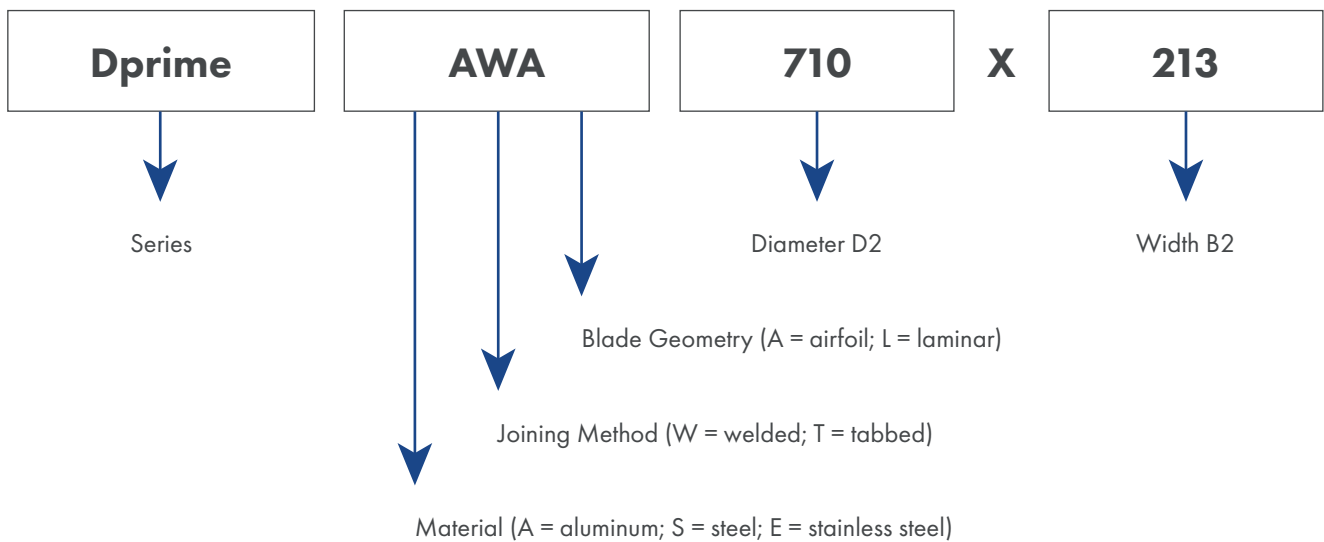
# DATA CENTER COOLING

## DIMENSIONS



Direction of rotation example: suction  
side view: clockwise rotation (R)

## FAN WHEEL TYPE EXPLANATION



**punker GmbH**  
 Newark 1  
 24340 Eckernförde  
 Germany  
 Fon: +49.4351.472.0  
 Fax: +49.4351.472.740  
 info@punker.de  
 ► [www.punker.com](http://www.punker.com)

**punker LLC**  
 1112 Lincoln County Pkwy  
 Lincolnton, NC 28092  
 USA  
 Fon: +1.828.322.1951  
 Fax: +1.828.328.1336  
 info@punker.com  
 ► [www.punker-usa.com](http://www.punker-usa.com)

# DATA CENTER COOLING

## METRIC DIMENSIONS

Fan wheel dimensions						Hub assembly dimensions		Inlet cone assembly dimensions For details see sheet: <a href="#">5.1.331-3.01</a>			
Type	D2 mm	B2 mm	ØDA mm	ØD0 mm	B4 mm	Ødmin mm	Ødmax mm	Type	h1 mm	u mm	A1 mm
Dprime AWA 560x168	560	168	636	394,8	250,7	24	60	ED11 560	92	5,6	337,1
Dprime AWA 560x224	560	224	636	394,8	306,7	24	60	ED11 560	92	5,6	393,1
Dprime AWA 630x189	630	189	716	444,2	283,3	24	60	ED11 630	100	6,3	377,0
Dprime AWA 630x252	630	252	716	444,2	346,3	24	60	ED11 630	100	6,3	440,0
Dprime AWA 710x213	710	213	806	500,6	317,8	24	60	ED11 710	117	7,1	427,7
Dprime AWA 710x284	710	284	806	500,6	388,8	24	60	ED11 710	117	7,1	498,7
Dprime AWA 800x240	800	240	909	564	355,6	28	75	ED11 800	131	8,0	478,6
Dprime AWA 800x320*	800	320	909	564	435,6	28	75	ED11 800	131	8,0	558,6

## IMPERIAL DIMENSIONS

Fan wheel dimensions						Hub assembly dimensions		Inlet cone assembly dimensions For details see sheet: <a href="#">5.1.331-3.01</a>			
Type	D2 inch	B2 inch	ØDA inch	ØD0 inch	B4 inch	Ødmin inch	Ødmax inch	Type	h1 inch	u inch	A1 inch
Dprime AWA 560x168	22	6,61	25,04	15,54	9,87	0,94	2,36	ED11 560	3,62	0,22	13,27
Dprime AWA 560x224	22	8,82	25,04	15,54	12,07	0,94	2,36	ED11 560	3,62	0,22	15,48
Dprime AWA 630x189	25	7,44	28,19	17,49	11,15	0,94	2,36	ED11 630	3,94	0,25	14,84
Dprime AWA 630x252	25	9,92	28,19	17,49	13,63	0,94	2,36	ED11 630	3,94	0,25	17,32
Dprime AWA 710x213	28	8,39	31,73	19,71	12,51	0,94	2,36	ED11 710	4,61	0,28	16,84
Dprime AWA 710x284	28	11,18	31,73	19,71	15,31	0,94	2,36	ED11 710	4,61	0,28	19,63
Dprime AWA 800x240	31	9,45	35,79	22,20	14,00	1,10	2,95	ED11 800	5,16	0,31	18,84
Dprime AWA 800x320*	31	12,60	35,79	22,20	17,15	1,10	2,95	ED11 800	5,16	0,31	21,99

\* Can be ordered exclusively from punker LLC.

**punker GmbH**  
 Newark 1  
 24340 Eckernförde  
 Germany

Fon: +49.4351.472.0  
 Fax: +49.4351.472.740

info@punker.de  
 ► [www.punker.com](http://www.punker.com)

**punker LLC**  
 1112 Lincoln County Pkwy  
 Lincolnton, NC 28092  
 USA

Fon: +1.828.322.1951  
 Fax: +1.828.328.1336

info@punker.com  
 ► [www.punker-usa.com](http://www.punker-usa.com)